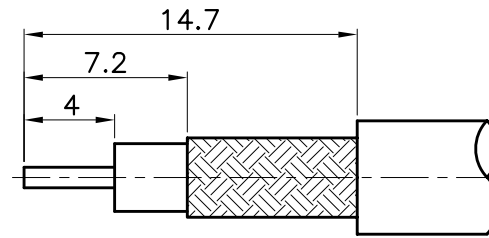
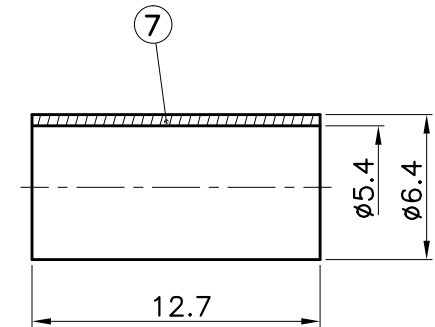
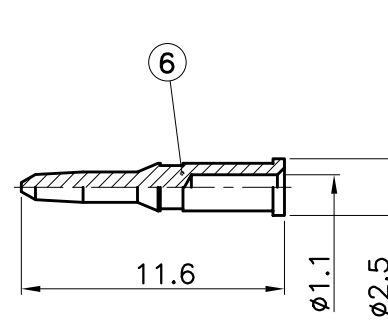
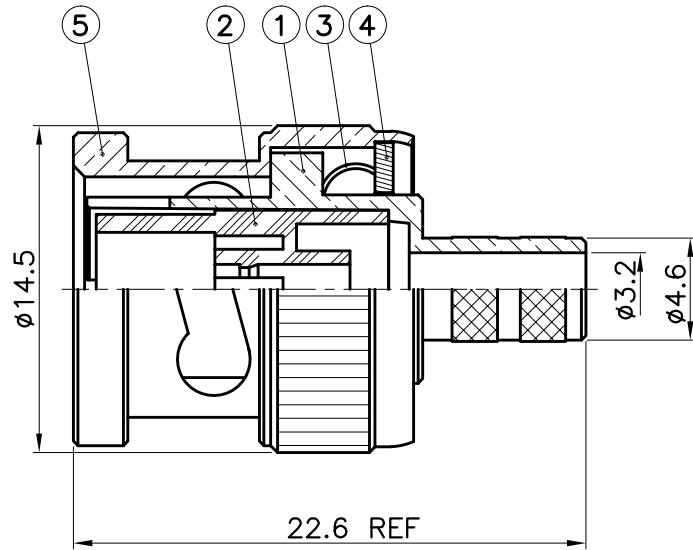


REVISIONS		
ISS	DESCRIPTION	DATE

RoHS COMPLIANT



RECOMMENDED  
CABLE STRIPPING DIM'S



1. CRIMPED FERRULE  
HEX CRIMP SIZE .213"
2. CRIMPED CONTACT PIN  
HEX CRIMP SIZE .068"

TITLE: BNC MALE CRIMP (FOR RG58)	APRD:	UNLESS OTHERWISE SPECIFIED TOLERANCES 0.5-6 = ±0.2 >6-30 = ±0.4 >30-120 = ±0.6 >120-315 = ±1 >315-1000 = ±1.6 ANGLES = ±5°	7	FERRULE	BRASS	NICKEL
	CHKD:		6	CONTACT PIN	BRASS	GOLD
	DR:		5	SHELL	ZINC ALLOY	NICKEL
PART NO: BNC2-58D	DATE: 10/28/10"	UNIT: mm	4	WASHER	STEEL	NICKEL
DR. NO: 50013-016(B002D058-96-100)	SHEET: .	SCALE: 3/1	3	SPRING	SK-5	NICKEL
			2	INSULATOR	DELIRIN	WHITE
			1	BODY	ZINC ALLOY	NICKEL
			NO.	DESCRIPTION	MATERIAL	FINISH